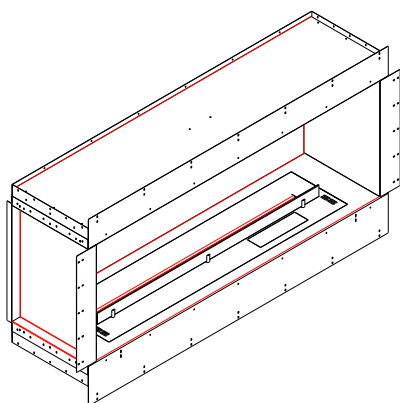
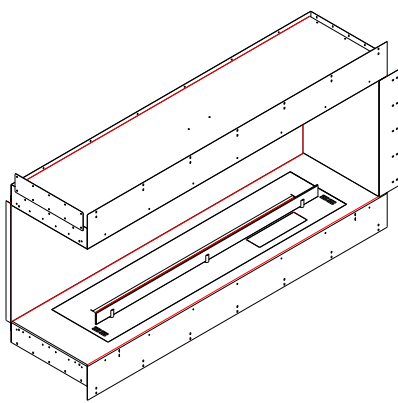


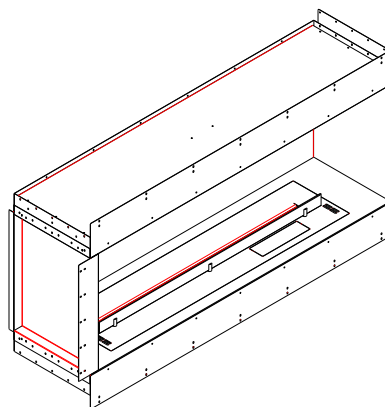
EN Installation manual / **DE** Montageanleitung / **ES** Manual de montaje /
FR Notice de montage / **IT** Istruzioni di montaggio / **PL** Instrukcja montażu /
RU инструкция по монтажу



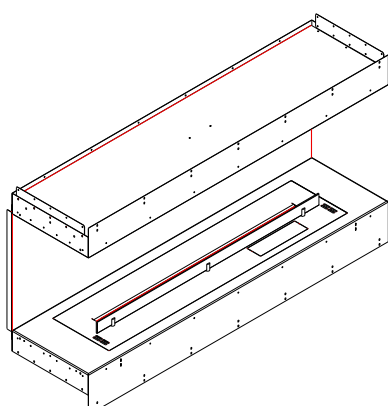
Front



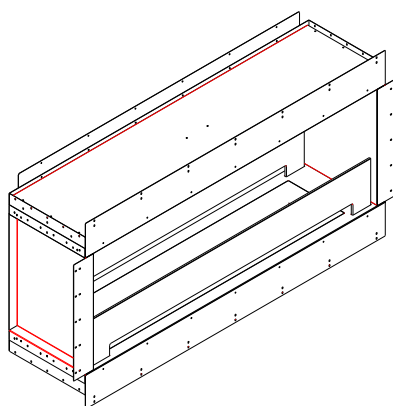
Left Corner



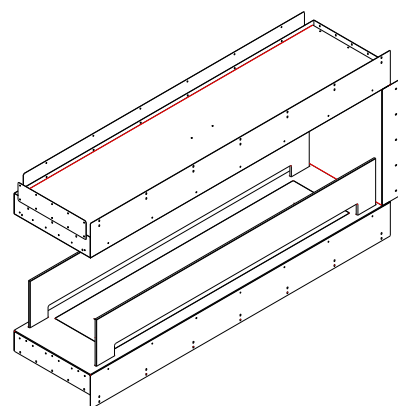
Right Corner



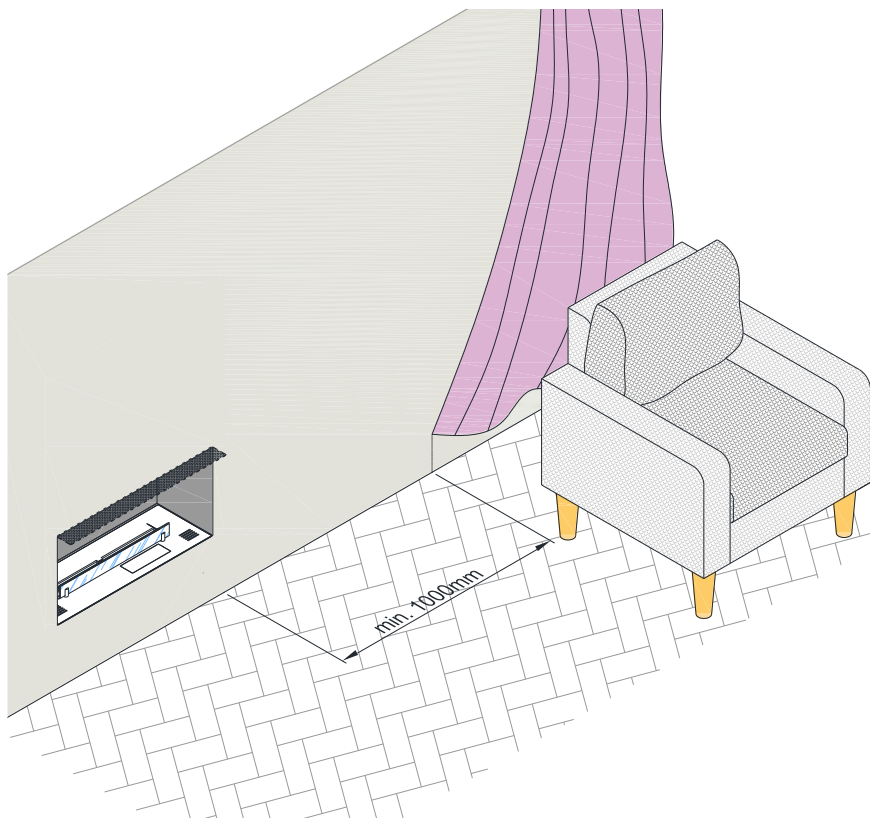
Three-sided



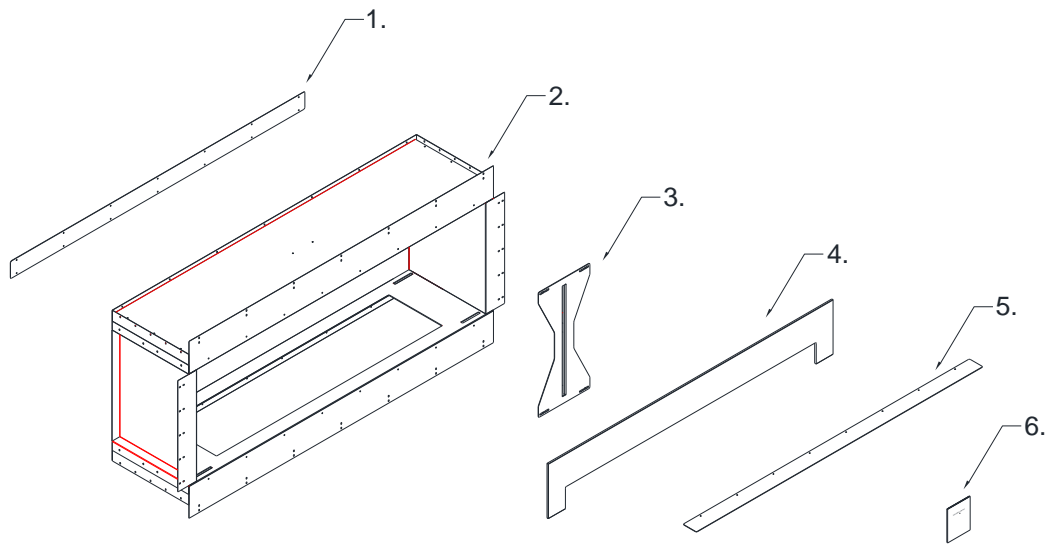
Tunnel



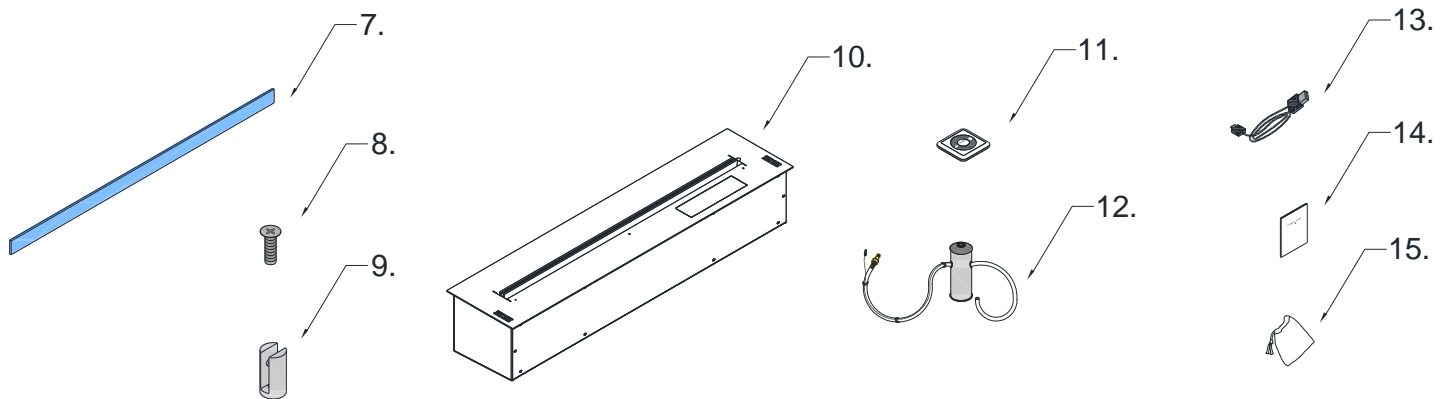
Room Divider



	Burner / Feuerungsleiste / Hogar / Foyer / Focolare / Palenisko / Желоб пламени	Min. m³	kW
Forma 1000 Front	790 FLA3/FLA3+	44 m ³	4,4
Forma 1000 Left Corner / Right Corner			
Forma 1000 Three-sided			
Forma 1000 Tunnel			
Forma 1000 Room Divider			
Forma 1200 Front	990 FLA3/FLA3+	70 m ³	70
Forma 1200 Left Corner / Right Corner			
Forma 1200 Three-sided			
Forma 1200 Tunnel			
Forma 1200 Room Divider			
Forma 1500 Front	1190 FLA3/FLA3+	94 m ³	9,4
Forma 1500 Left Corner / Right Corner			
Forma 1500 Three-sided			
Forma 1500 Tunnel			
Forma 1500 Room Divider			
Forma 1800 Front	1490 FLA3/FLA3+	130 m ³	13
Forma 1800 Left Corner / Right Corner			
Forma 1800 Three-sided			
Forma 1800 Tunnel			
Forma 1800 Room Divider			
Forma 2300 Front	1990 FLA3/FLA3+	180 m ³	18
Forma 2300 Left Corner / Right Corner			
Forma 2300 Three-sided			
Forma 2300 Tunnel			
Forma 2300 Room Divider			
Forma 2700 Front	2490 FLA3/FLA3+	225 m ³	22,5
Forma 2700 Left Corner / Right Corner			
Forma 2700 Three-sided			
Forma 2700 Tunnel			
Forma 2700 Room Divider			

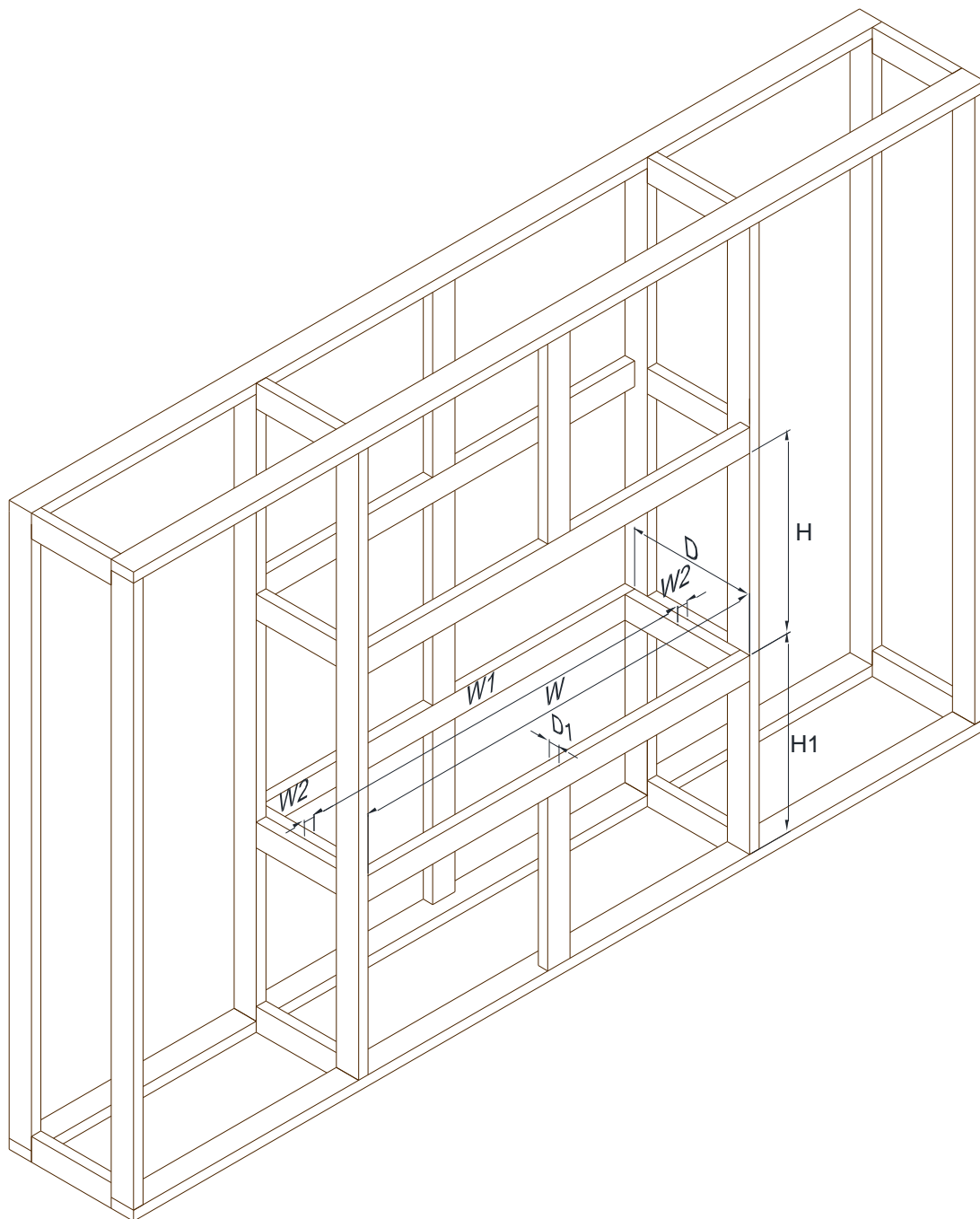


	EN	DE	ES	FR	IT	PL	RU	Casing Forma
1.	Flange extension panel	Montageleise	Liston de montaje	Bande de montage	Listello di montaggio	Listwa montażowa	Монтажная панель	Tunnel, Room Divider
2.	Forma Casing	Casing Forma	Casing Forma	Casing Forma	Casing Forma	Casing Forma	Casing Forma	-
3.	Stability brackets	Stahl- Stütze	Soporte	Support de stabilisation	Elemento stabilizzante	Wspornik stabilizujący	стабилизатор	2 x Left/Right Corner and Tunnel 3 x Room Divider, Three-Sided
4.	Windscreen	Glaspanel	Panel de vidrio	Panneau en verre	Pannelo di vetro	Panel szklany	стеклянная палень	Room Divider, Tunnel
5.	Additional deflector	Deflektor	Deflector	Défecteur	Deflettore	Deflektor	дополнительный дефлектор	2 x Room Divider, Tunnel
6.	Installation manual	Montageanleitung	Manual de montaje	Notice de montage	Istruzioni di montaggio	Instrukcja montażu	инструкция по монтажу	-



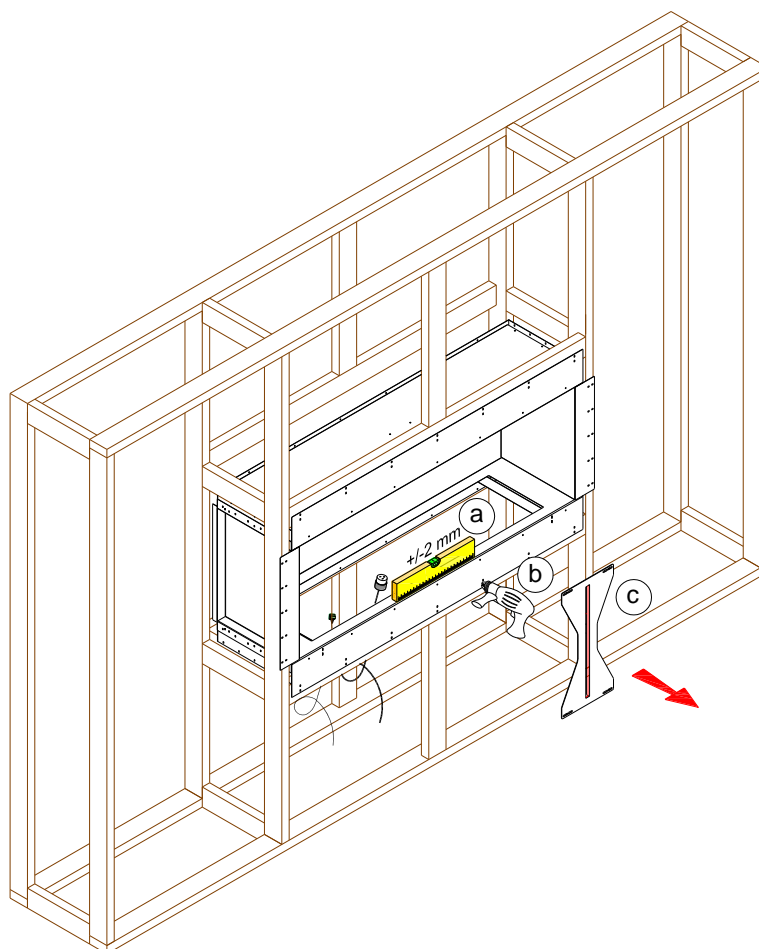
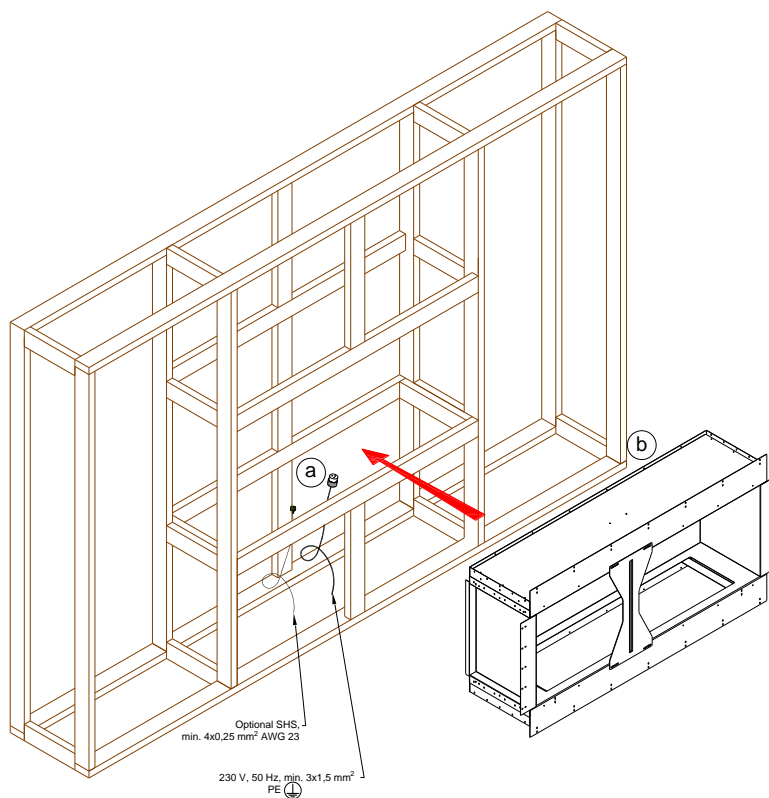
	EN	DE	ES	FR	IT	PL	RU	FLA 3 / FLA 3 +
7.	Glass shield	technisches Glas	Vidrio protector	Vitre technique	Vetro protettivo	Szybka techniczna	техническое стекло	790,990,1190 - 1 pcs 1490,1990,2490 - 2 pcs
8.	Glass shield connector	Schraube für Glashalterung	Tornillo para soporte	Vis de support	Le viti per il supporto vetri	Śruba do kamertona	винт для технического стекла	790 - 2 pcs 990,1190 - 3 pcs
9.	Small glass holder	Glshalterung (klein)	Soporte pequeño	Support petit	Piccolo supporto vetri	Mały kamerton	держатели стекла	1490,1990,2490 - 4 pcs
10.	Burner	Kamin	Quemador	Cheminée	Camino	Kominek	горелка	-
11.	Remote control	Fernbedienung	Control remoto	Télécommande	Telecomando	Pilot	пульт дистанционного управления	-
12.	Fuel pump	Brennstoffpumpe	Bomba de combustible	Pompe	Pompa di rifornimento	Pompka paliwa	топливный насос	-
13.	Service cable	Service -Kabel	Cable USB de servicio	Câble de service	Cavetto per l'assistenza tecnica	Kabel serwisowy	кабель сервиса	-
14.	Installation and user's manual	Montageanleitung Bedienungsanleitung	Manual de montaje, de usuario	Notice de montage et d'utilisation	Istruzioni d'uso e montaggio	Instrukcja montażu i obsługi	инструкция по монтажу и эксплуатации	-
15.	Bag for fuel pump	Tasche für Brennstoffpumpe	Bolso de la bomba de combustible	Sac pour la pompe	Sacchetto per la pompa di rifornimento	Torba do pompki paliwa	чехол для топливного насоса	-

1. Front



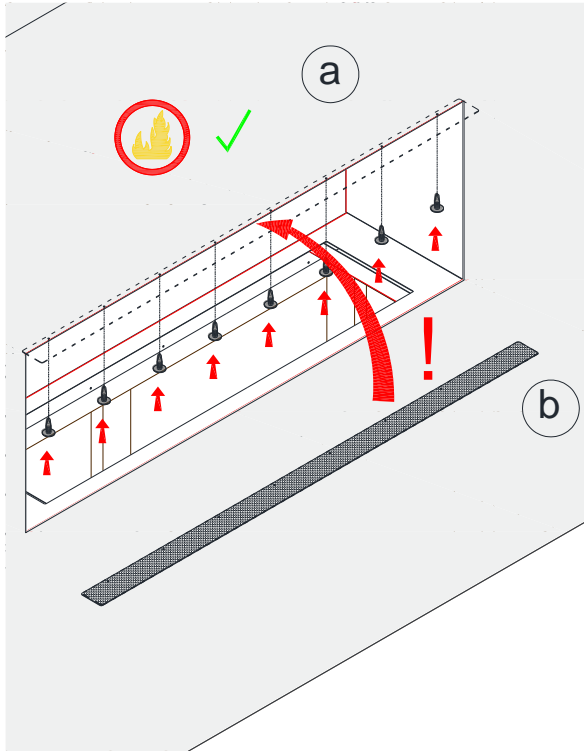
	W	W1 min	W2 max	D	D1 max	H	H1 min
	mm	mm	mm	mm	mm	mm	mm
Forma 1000 Front	1120	820	150	450	50	710	240
Forma 1200 Front	1320	1020	150				
Forma 1500 Front	1630	1230	200				
Forma 1800 Front	1930	1530	200				
Forma 2300 Front	2440	2040	200				
Forma 2700 Front	2800	2500	150				

1. Front

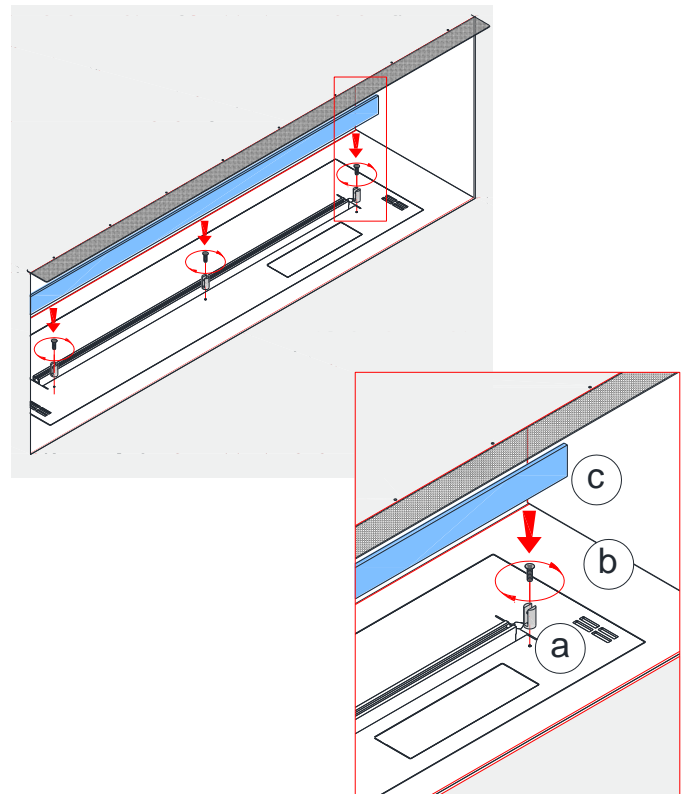
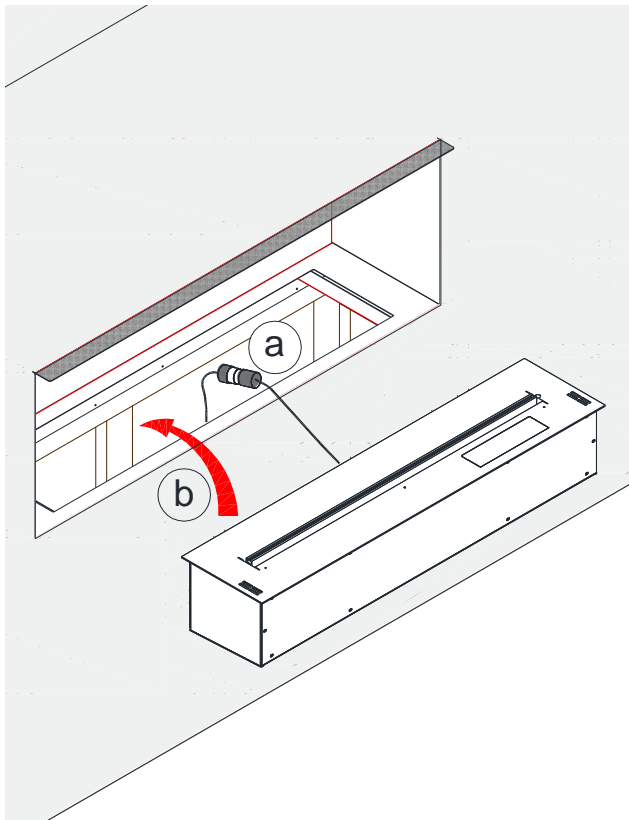
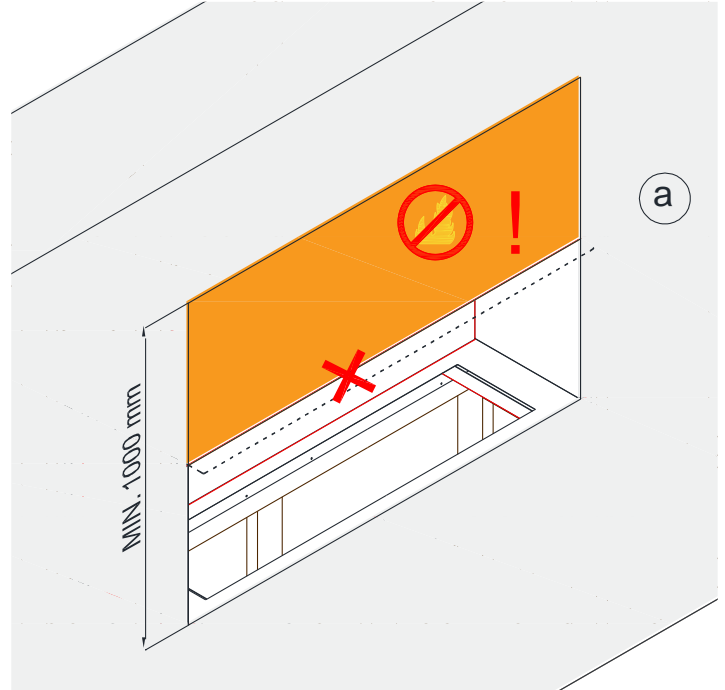


1 Front

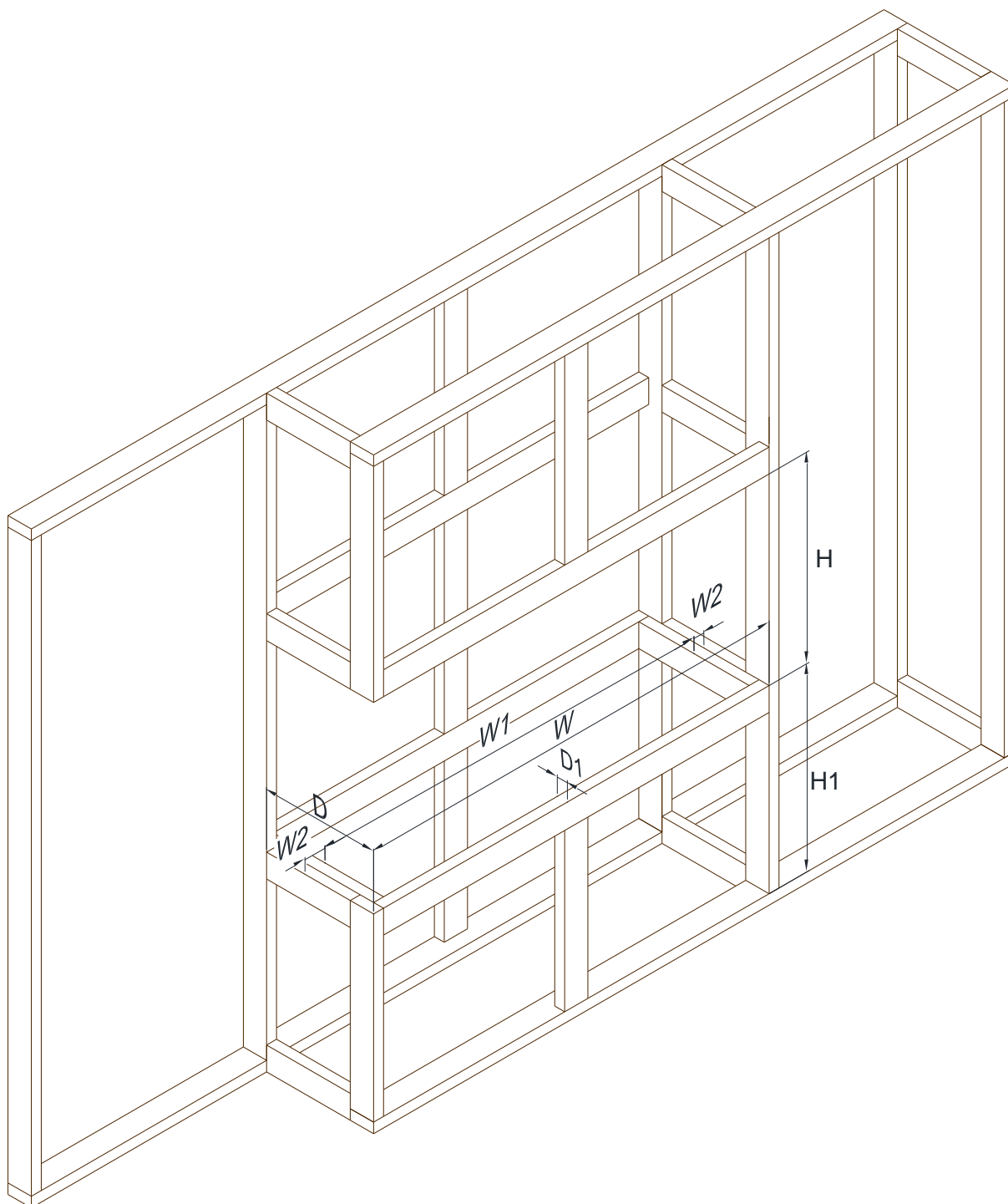
Option A



Option B

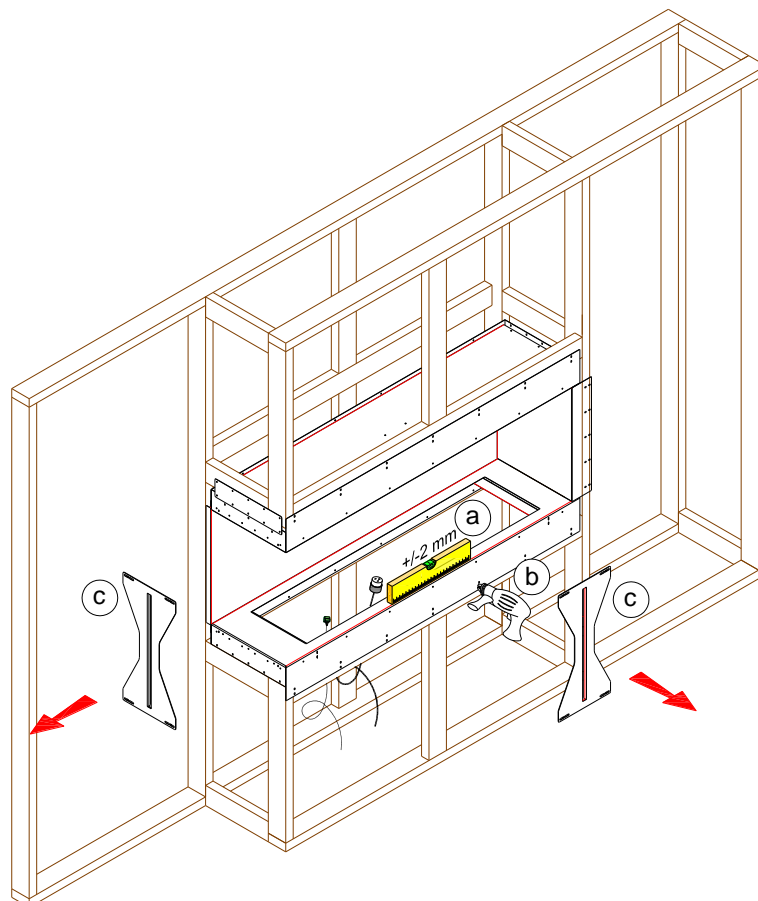
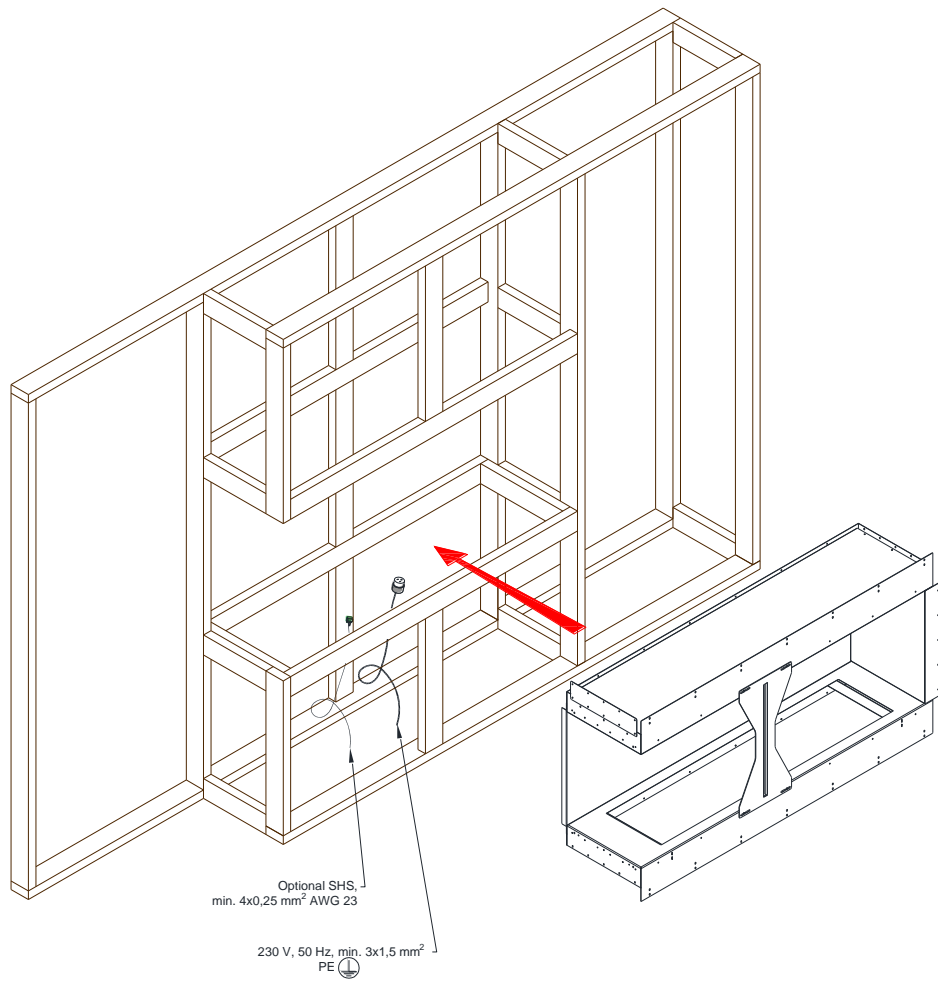


2 Left/Right Corner



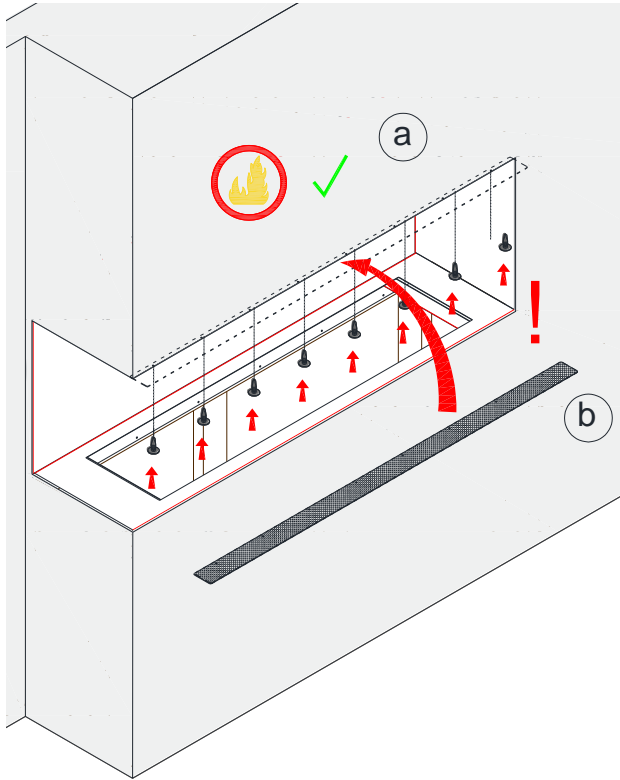
Appliance	W	W1 min	W2 max	D	D1 max	H	H1 min
	mm	mm	mm	mm	mm	mm	mm
Forma 1000 Left/Right Corner	1120	820	150	450	50	710	240
Forma 1200 Left/Right Corner	1320	1020	150				
Forma 1500 Left/Right Corner	1630	1230	200				
Forma 1800 Left/Right Corner	1930	1530	200				
Forma 2300 Left/Right Corner	2440	2040	200				
Forma 2700 Left/Right Corner	2800	2500	150				

2 Left/Right Corner

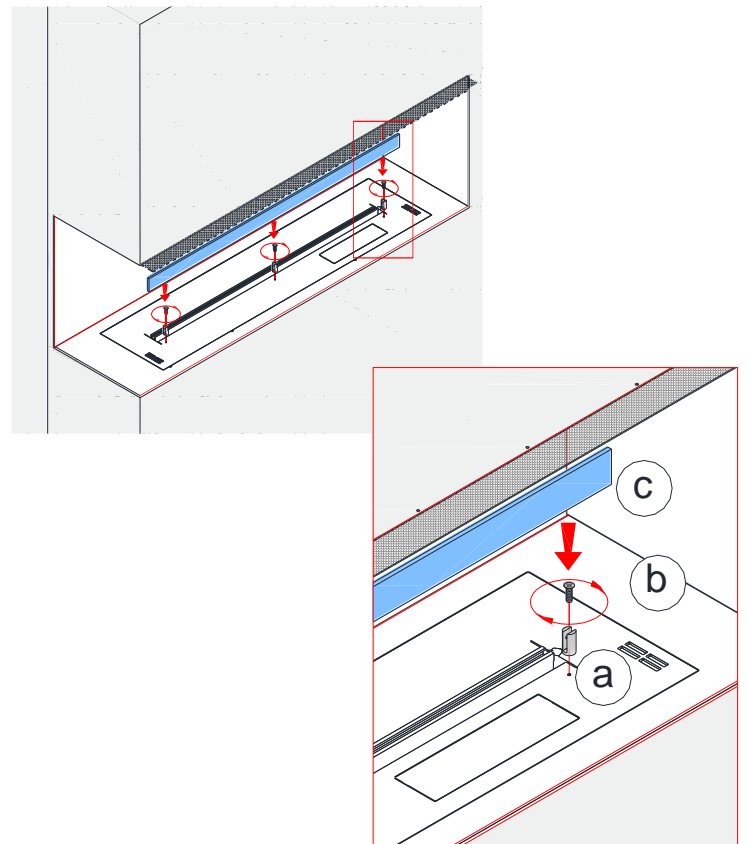
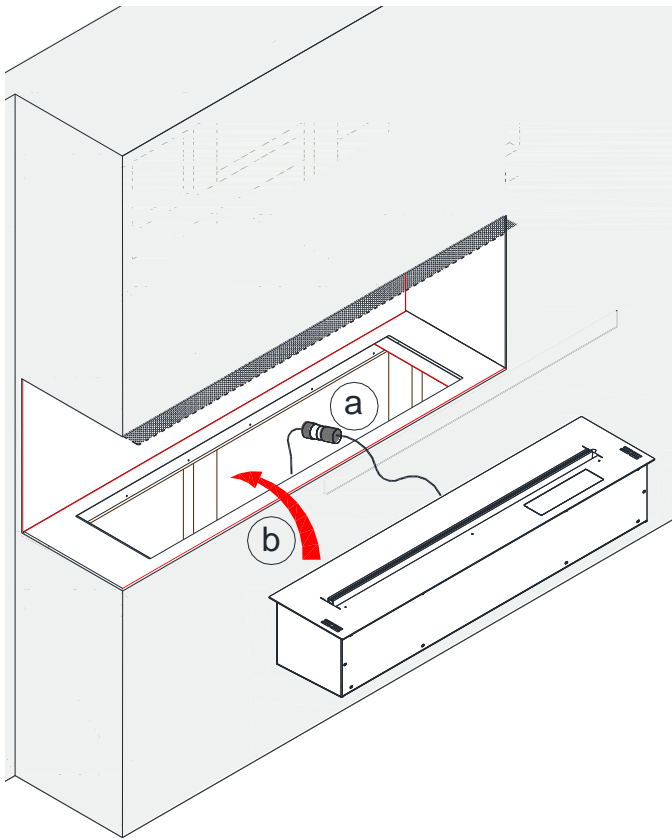
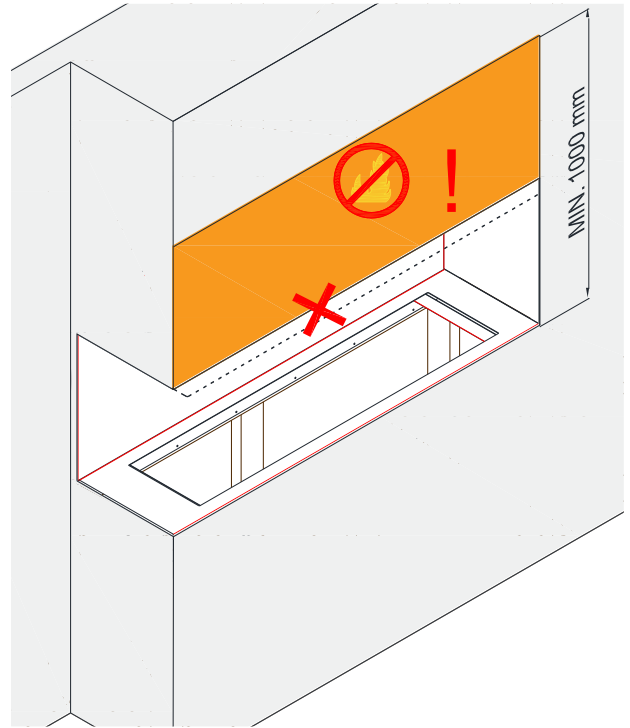


2 Left/Right Corner

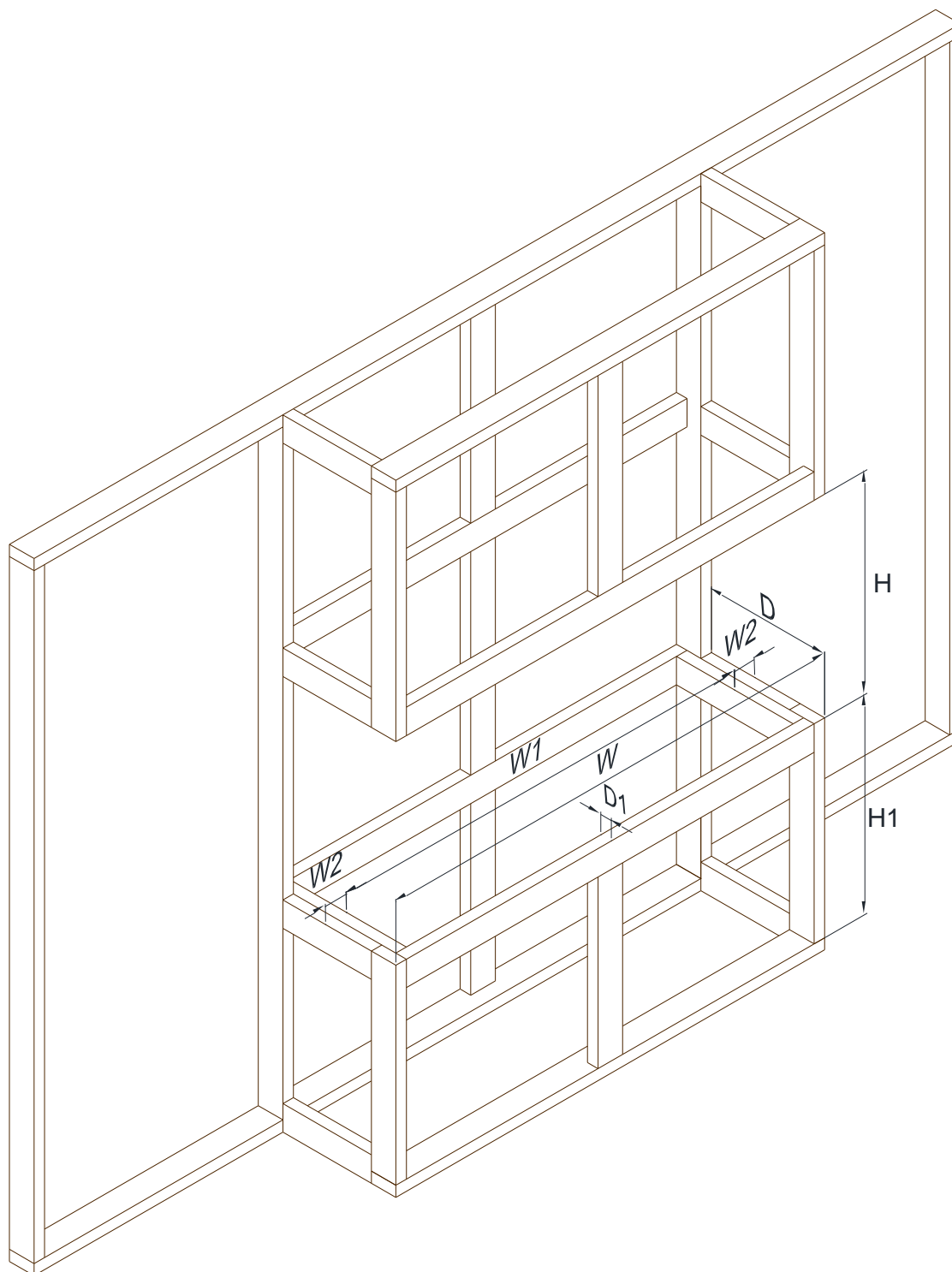
Option A



Option B

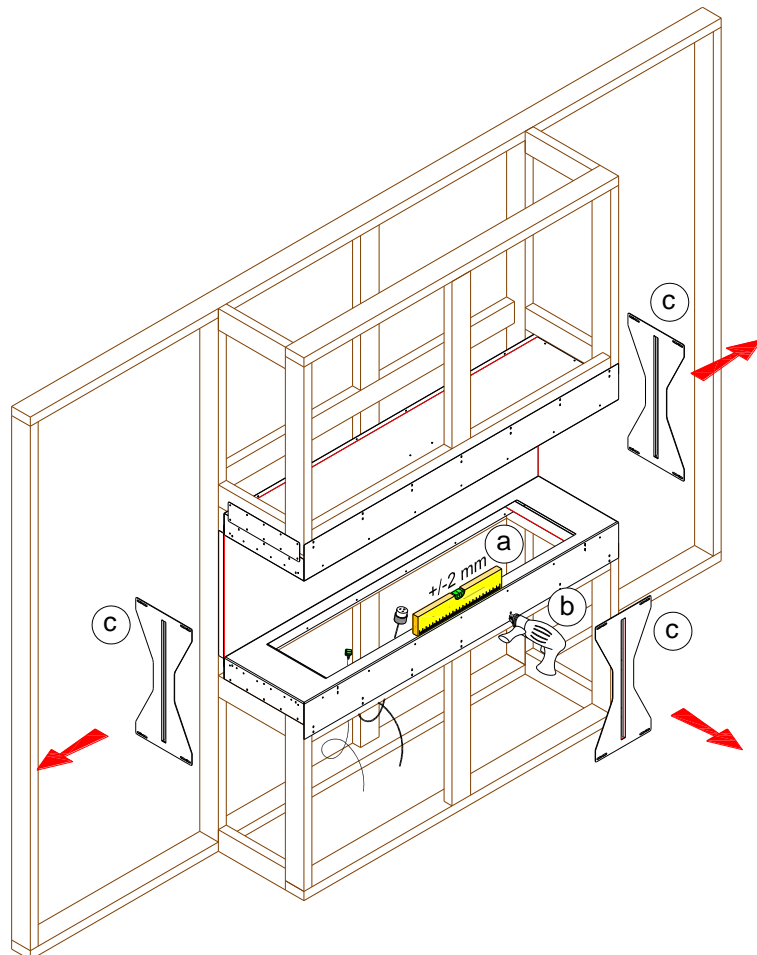
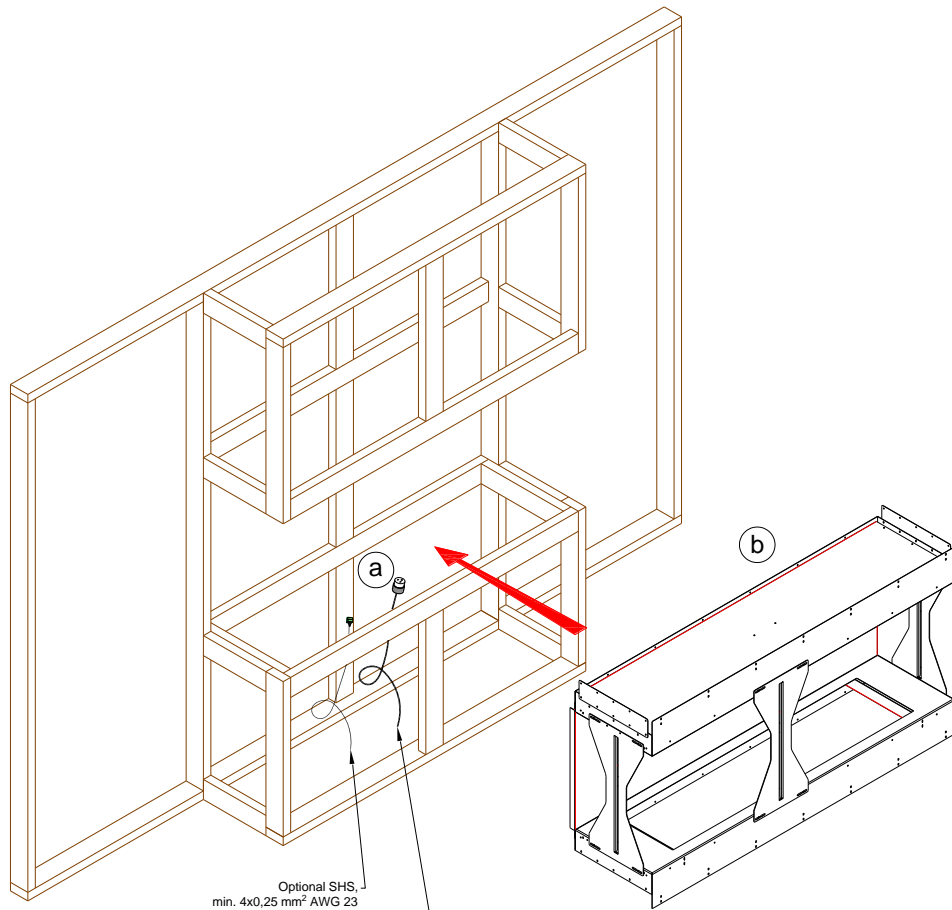


3. Three-sided



Appliance	W	W1 min	W2 max	D	D1 max	H	H1 min
	mm	mm	mm	mm	mm	mm	mm
Forma 1000 Three-sided	1098	820	150	450	50	710	240
Forma 1200 Three-sided	1301	1020	150				
Forma 1500 Three-sided	1606	1230	200				
Forma 1800 Three-sided	1911	1530	200				
Forma 2300 Three-sided	2419	2040	200				
Forma 2700 Three-sided	2774	2500	150				

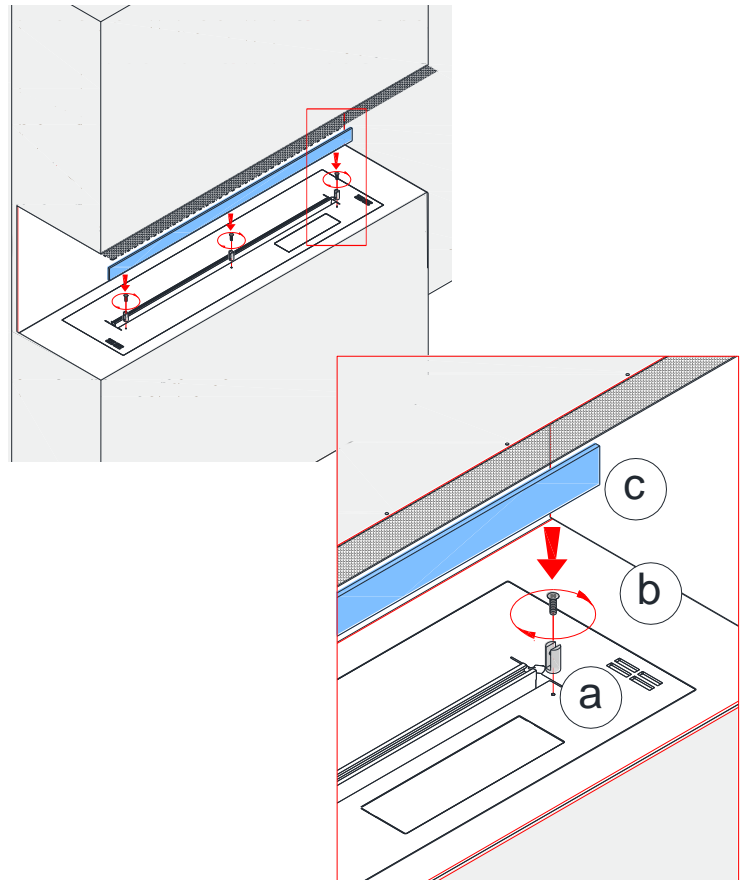
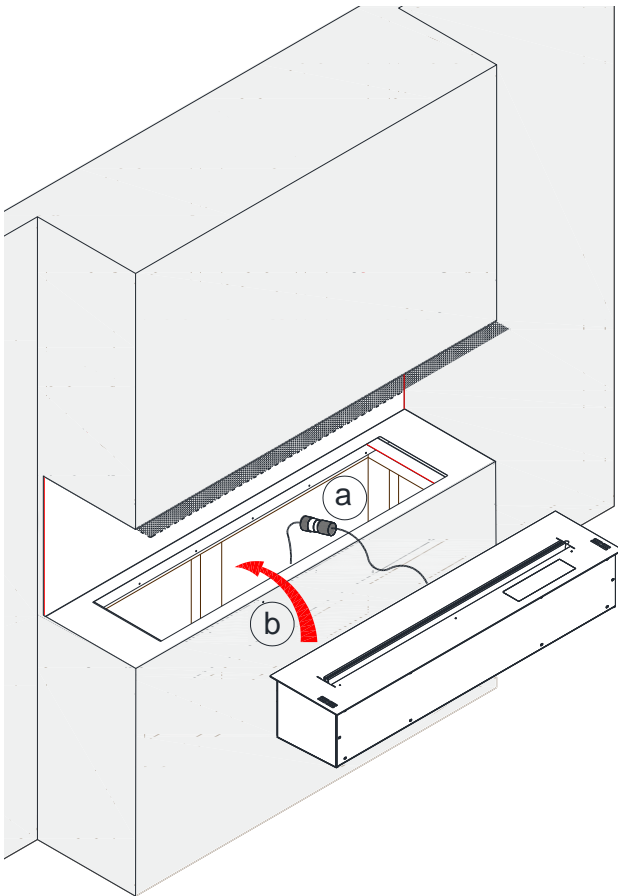
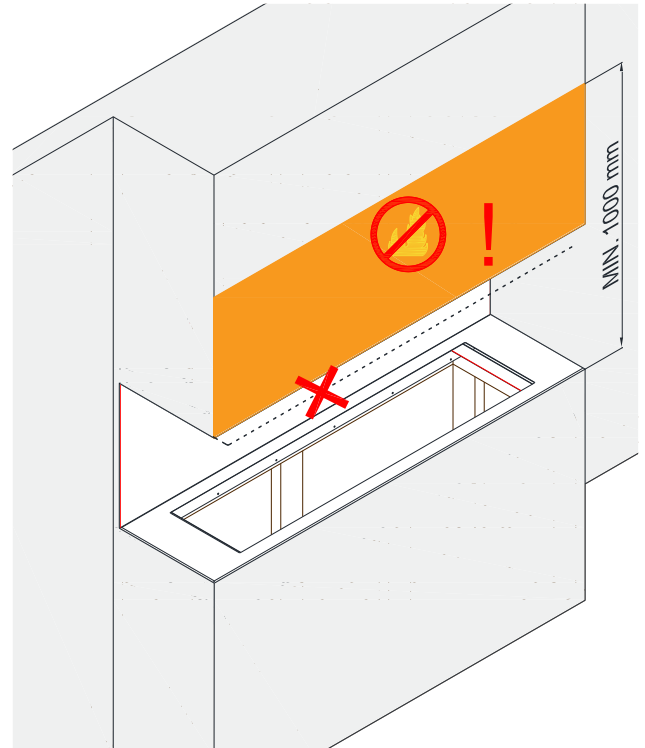
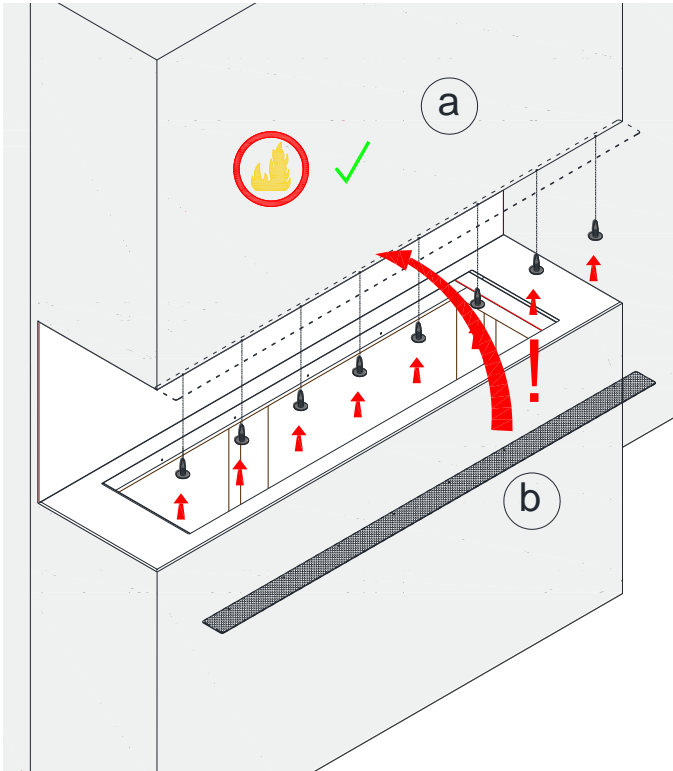
3. Three-sided



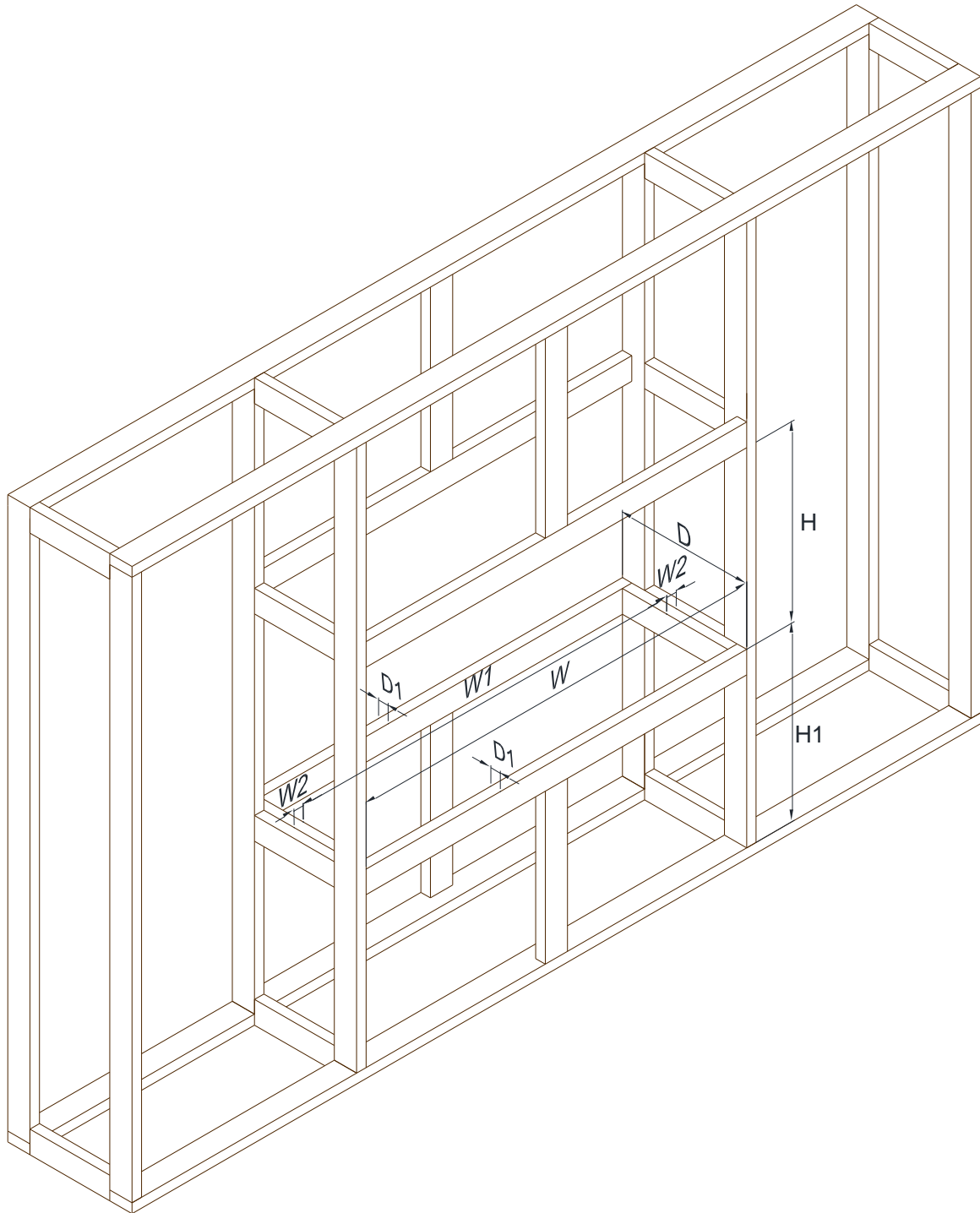
3. Three-sided

Option A

Option B

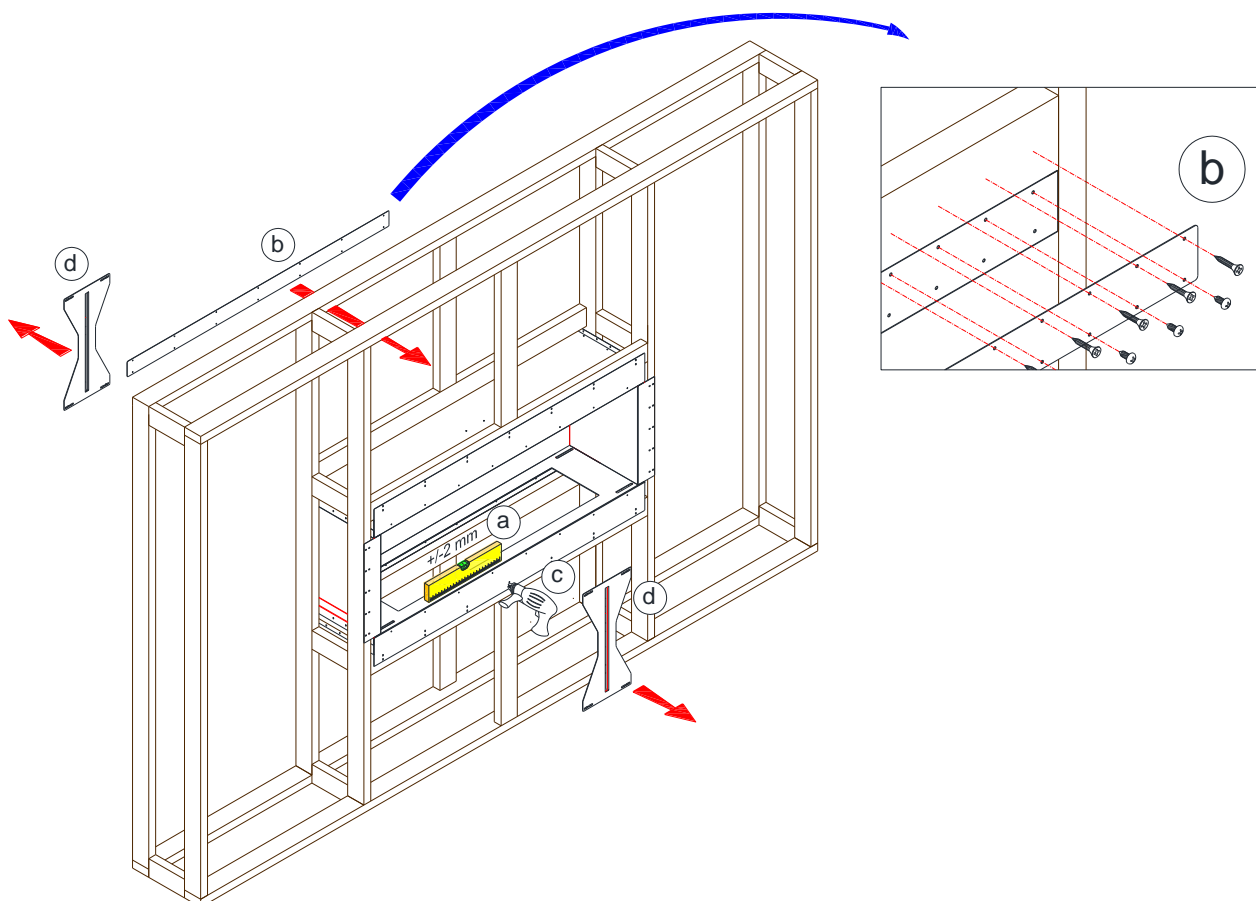
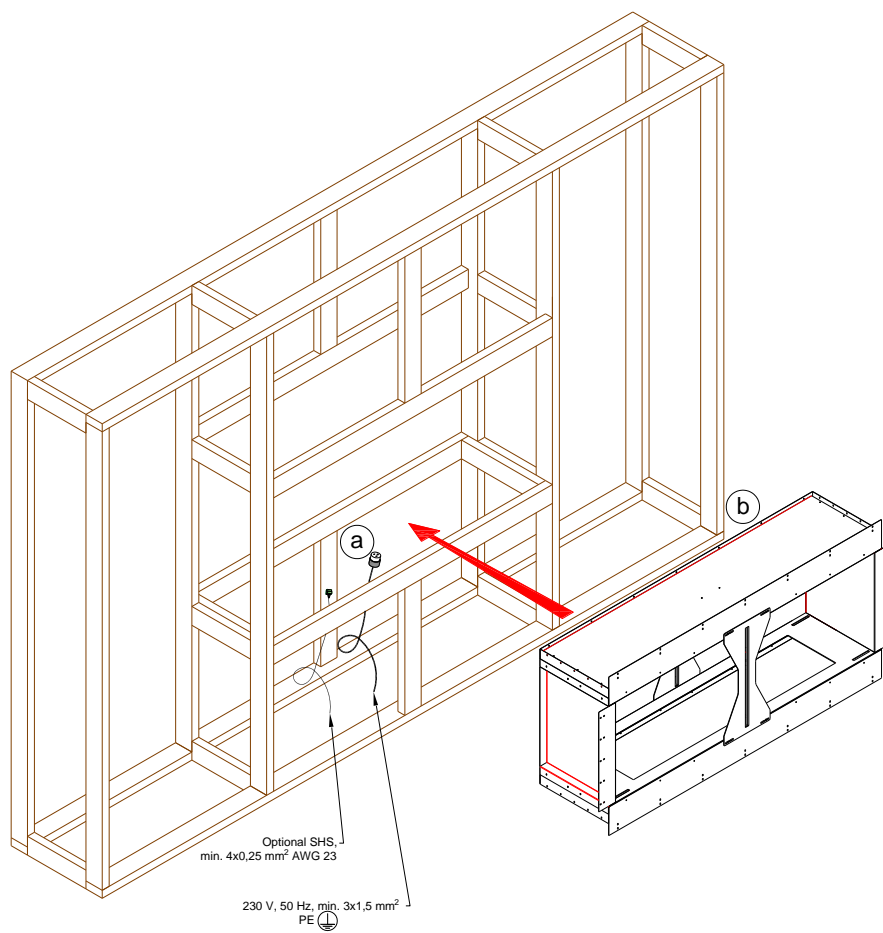


4 Tunnel



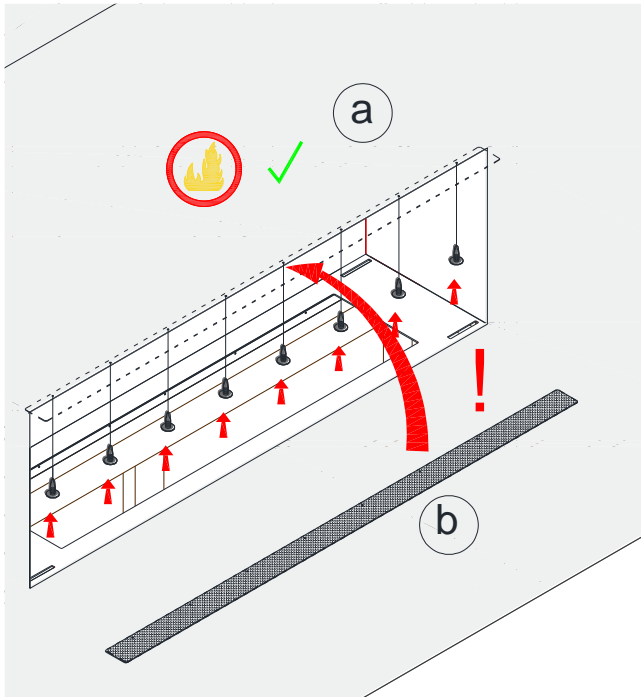
Appliance	W	W1 min	W2 max	D	D1 max	H	H1 min
	mm	mm	mm	mm	mm	mm	mm
Forma 1000 Tunnel	1120	820	150	406	50	710	240
Forma 1200 Tunnel	1320	1020	150				
Forma 1500 Tunnel	1630	1230	200				
Forma 1800 Tunnel	1930	1530	200				
Forma 2300 Tunnel	2440	2040	200				
Forma 2700 Tunnel	2800	2500	150				

4. Tunnel

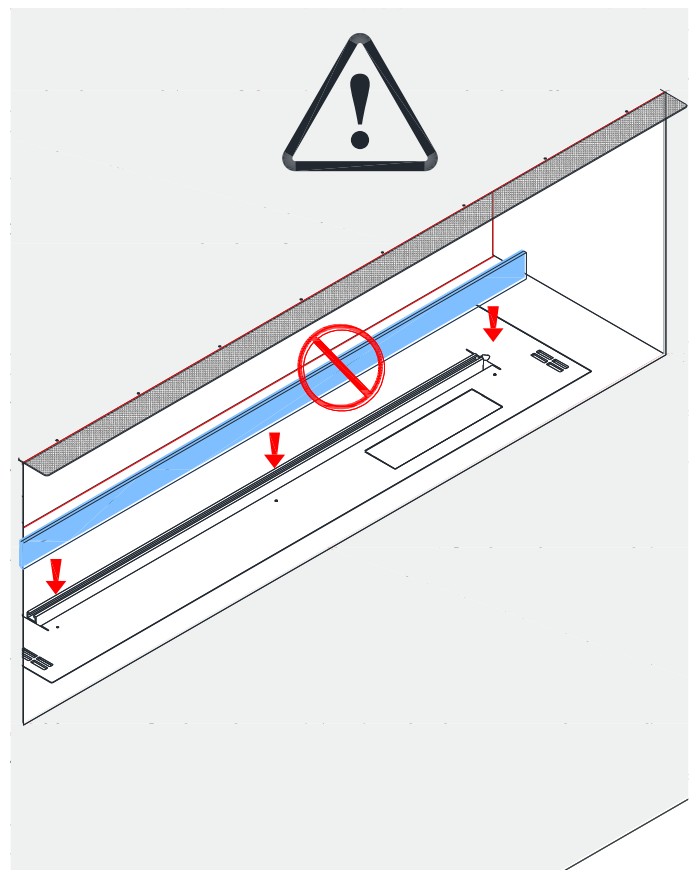
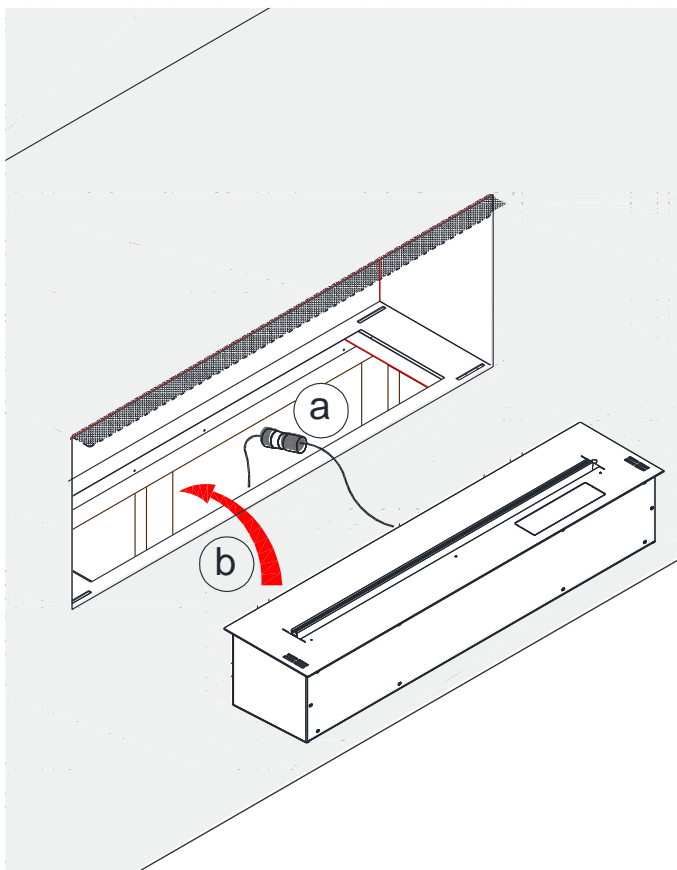
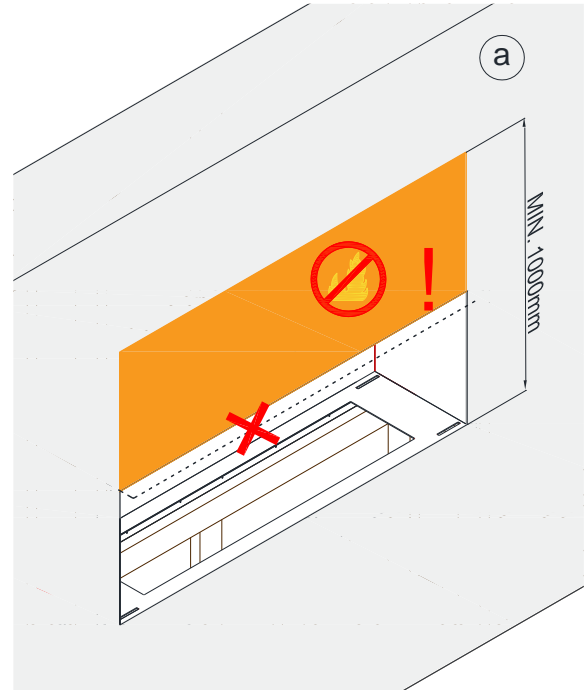


4. Tunnel

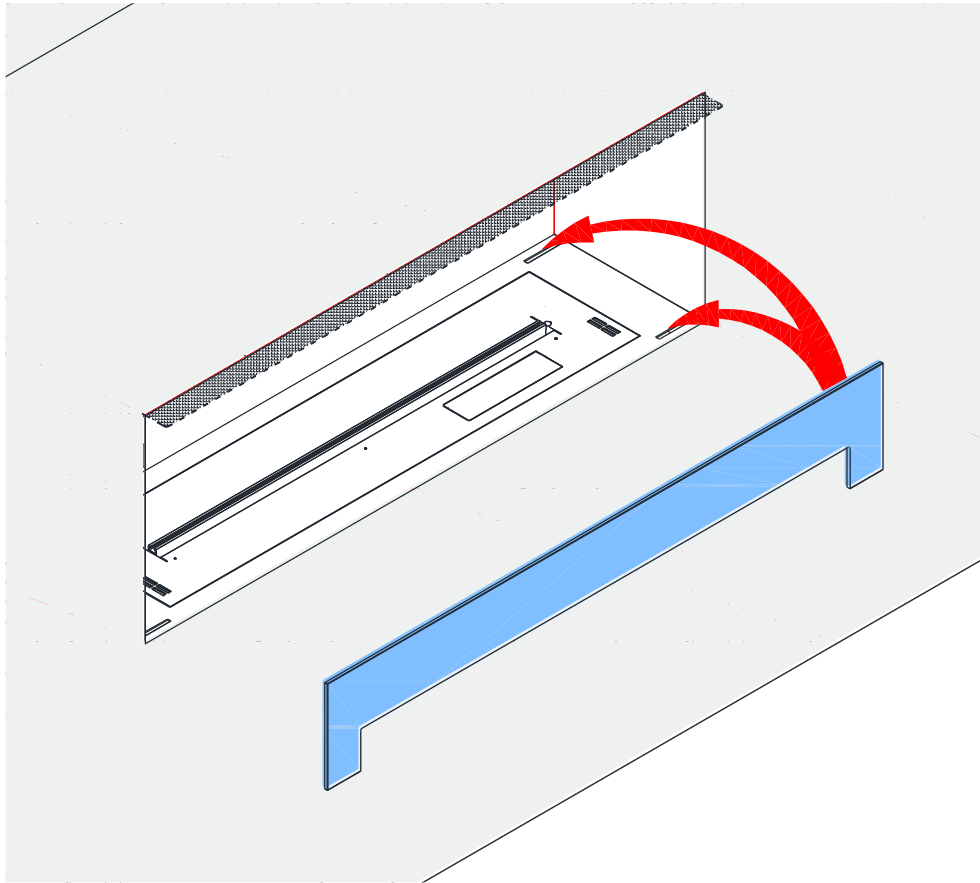
Option A



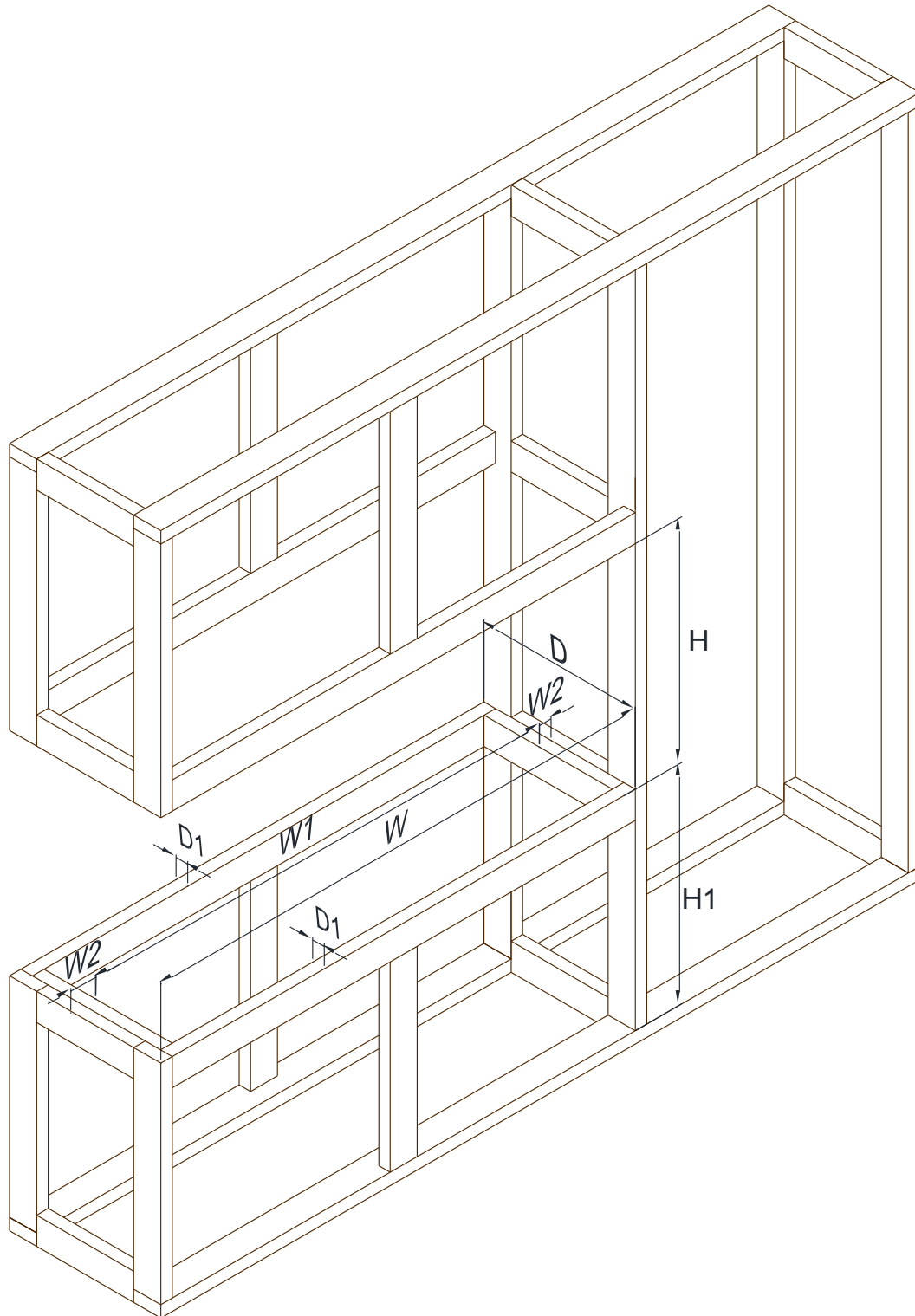
Option B



4. Tunnel

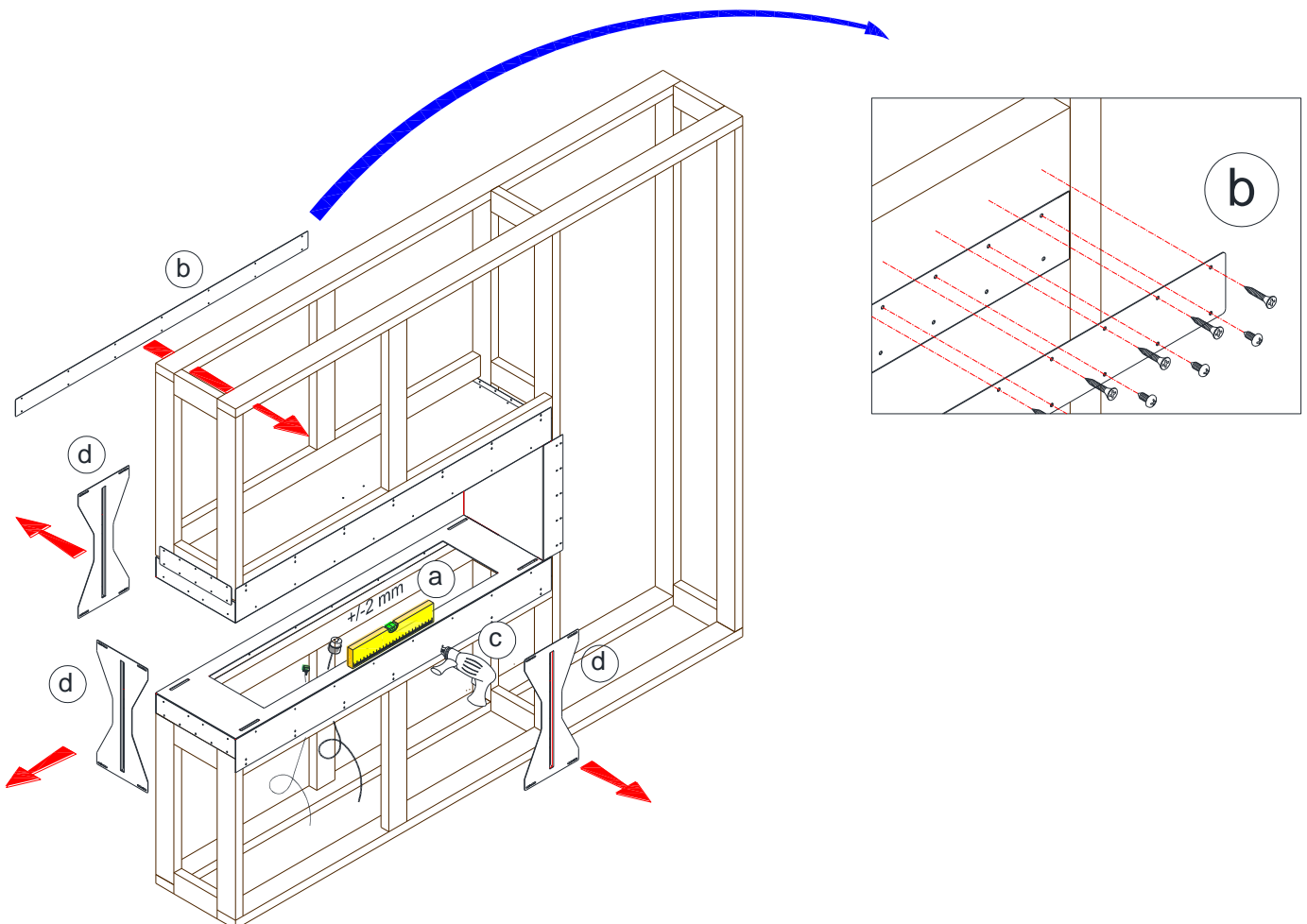
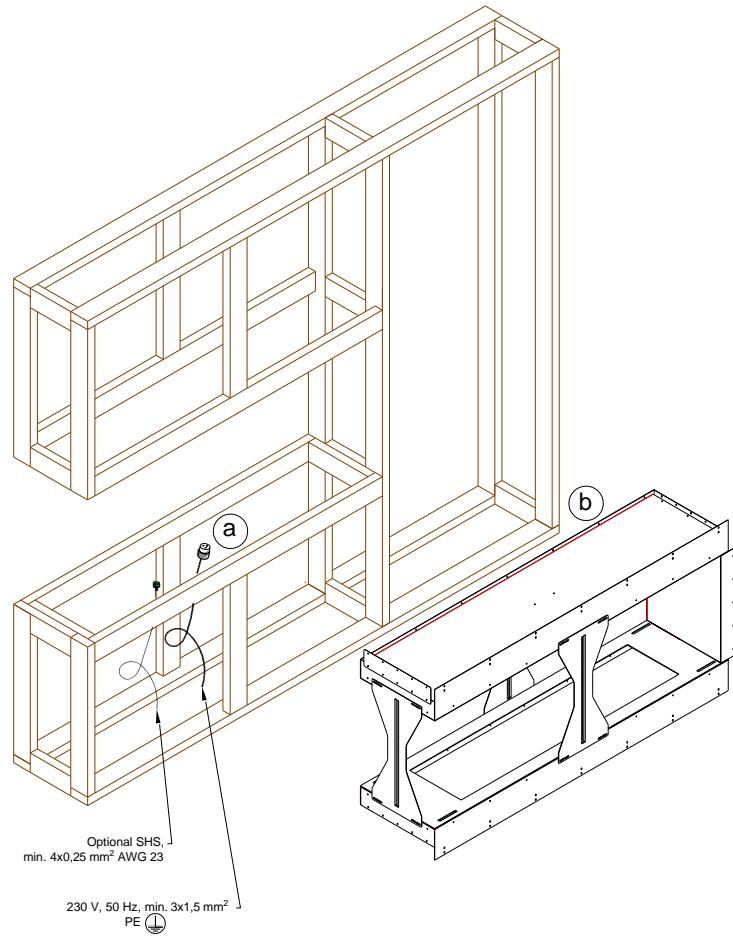


5. Room Divider



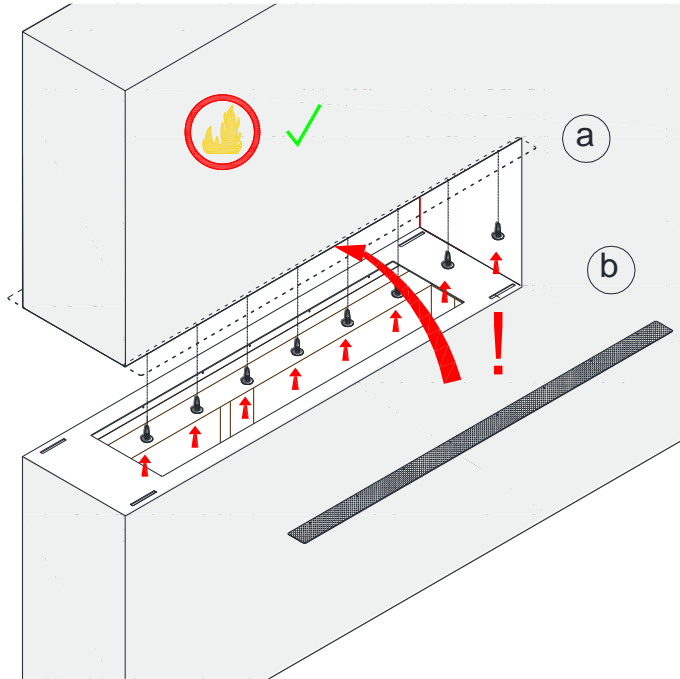
Appliance	W	W1 min	W2 max	D	D1 max	H	H1 min
	mm	mm	mm	mm	mm	mm	mm
Forma 1000 Room Divider	1120	820	150	406	50	710	240
Forma 1200 Room Divider	1320	1020	150				
Forma 1500 Room Divider	1630	1230	200				
Forma 1800 Room Divider	1930	1530	200				
Forma 2300 Room Divider	2440	2040	200				
Forma 2700 Room Divider	2800	2500	150				

5. Room Divider

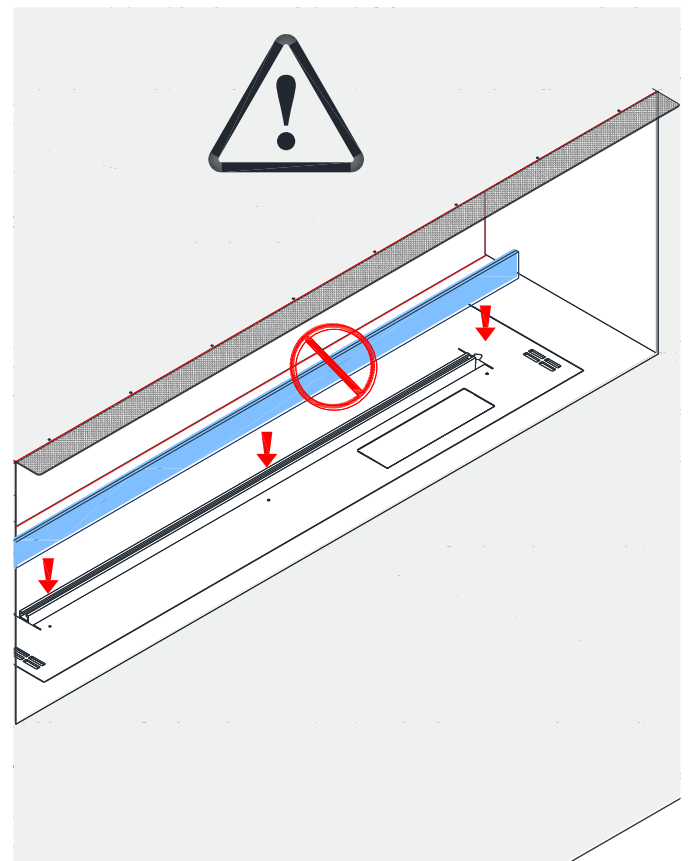
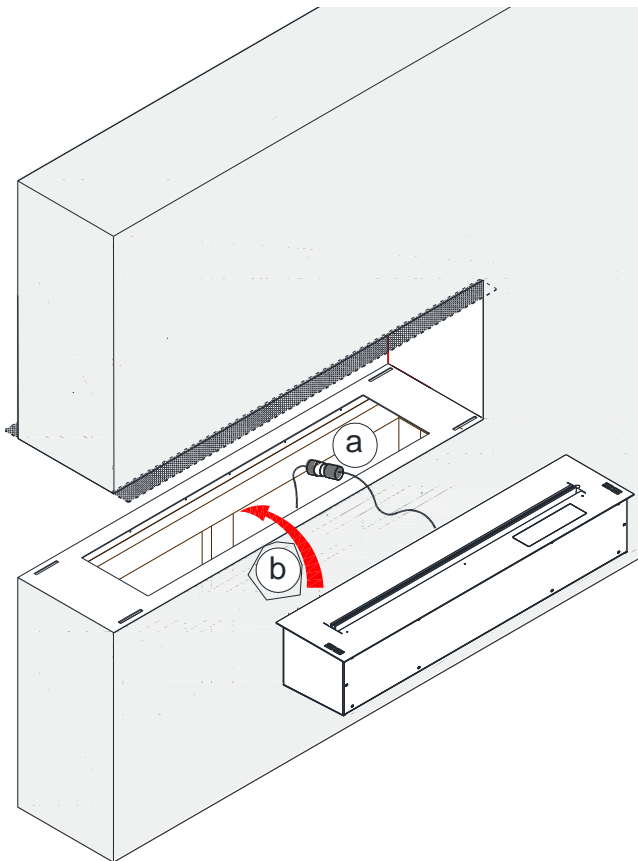
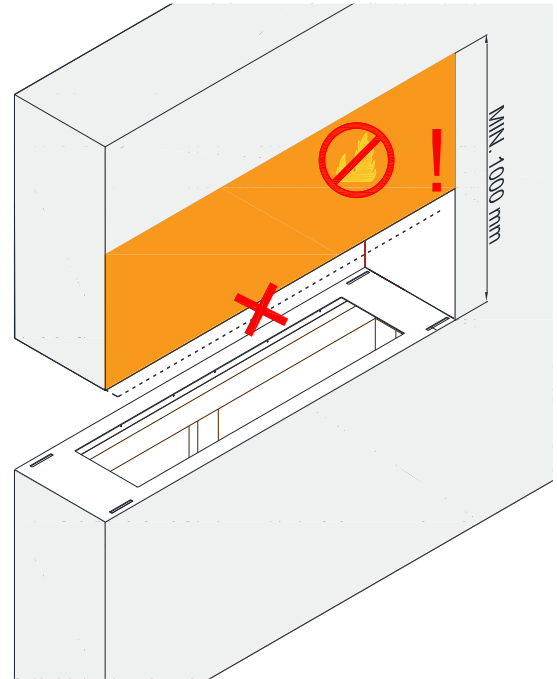


5. Room Divider

Option A



Option B



5. Room Divider

